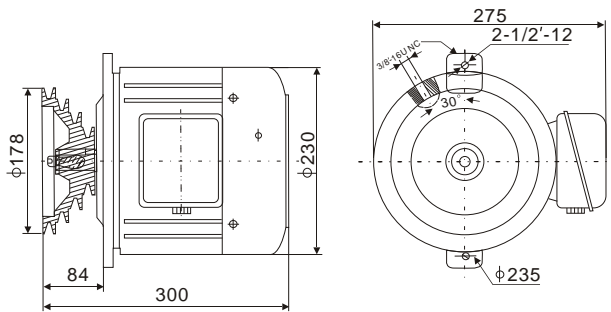


MT

系列铣床电机 SERIES MILLING MOTOR

According to the special requirements on motors for high-accuracy milling machine, we have designed and manufactured this type of milling motor, whose frame, front shield, end shield and belt pulley are made of die-casting aluminum alloy. These motors are with the following features: good appearance, light weight, well heat dispelled, also they are with lots of advantages: light vibration, low noise, low temperature rise, safe and reliable operation, especially the advantage of stead transfer process of two rotational speeds.

铣床电机是我公司根据高精度铣床配套要求，自行设计、制造的专用电机，前、后端盖、机壳、皮带轮均采用铝合金铸件，整机外形美观，重量轻，散热好。具有振动小、噪声低、温升低、运行平稳，特别是两个转速转换过程平稳等优点。



技术数据 TECHNICAL DATA

型号 Model	极数 Poles	功率Power		电压 Voltage (V)	频率 Frequency (Hz)	电流 Current (A)	转速 Speed (r/min)	效率 Eff (%)	功率因数 Power factor	堵转转矩 额定转矩 Tst/Tn(Times)	最大转矩 额定转矩 Tmax/Tn(Times)	堵转电流 额定电流 Ist/In(Times)	净重 N.W. (kg)
		KW	HP										
MT100-2/4	2	2.2	3	220/380	50	6.68/3.86	2850	76	0.86	2.2	2.4	5	20
	4	2.2	3	220/380	50	7.17/4.14	1430	70	0.79	2.2	2.3	4.5	
MT112-2/4	2	3.7	5	220/380	50	7.2/4.15	2870	81	0.88	2.2	2.2	6	25
	4	3.7	5	220/380	50	7.8/4.5	1440	79	0.81	2.2	2.2	5.5	

CY

系列鼓风机 SERIES AIR-BLOWER



技术数据 TECHNICAL DATA

型号 Model	风轮直径 Wind Wheel Diameter (mm)	风量 Air Quantity (m ³ /h)	风压 Air Pressure (pa)	功率 Power (kw)	转速 Speed (r/min)	电压 Voltage (V)	额定电流 Rate Current (A)	运转电流 Work Current (A)	进口直径 Air Inlet Diameter (mm)	出口直径 Air Outlet Diameter (mm)
CY-130	130	548	549	0.18	2800	380	0.53	0.4	∅ 103	70x86
CY-135	130	560	529	0.18	2800	380	0.53	0.4	∅ 114	91x69
CY-170	170	662x2	663	0.55	2825	380	0.8	0.8	∅ 173	70x86