

YL 系列单相双电容异步电动机 SINGLE-PHASE DUAL-CAPACITOR ASYNCHRONOUS MOTORS WITH CAST IRON HOUSING



YL series single phase heavy-duty induction motor is designed and manufactured in accord with national standard, newly developed by our company with low noise, compact construction, light weight, easy maintenance etc.

These motors are widely used in air compressors, pumps, fans, refrigerator, medical instruments, small-size machines etc, especially for occasion where only single-phase power supply is available.

OPERATING CONDITIONS

Ambient temperature: $-15^{\circ}\text{C} \leq \leq 40^{\circ}\text{C}$

Above sea level: not exceed 1000m

Rated voltage: $\pm 5\%$

YL系列大马力单相异步电动机根据国际标准设计和制造，具有低噪音，结构紧凑，重量轻，维护方便等特点。

此款电机广泛应用于空压机，水泵，风扇，制冷器，医疗设备，和小型机器等，尤其适用于仅有单相电流供应的工厂。

使用条件：

环境温度： $-15^{\circ}\text{C} \leq \leq 40^{\circ}\text{C}$

海拔高度：不超过 1000m

额定电压： $\pm 5\%$

MOTOR FEATURES

- Utilise IP44 enclosures, IP54 on request
- Fixed feet
- Superior paint finish
- Motors made to heavy duty service factors
- Can be made with stainless steel shaft
- Motors made for continuous S1 duty
- Utilise Vacuum impregnated Class F insulation
- High performance and efficiency

产品特点

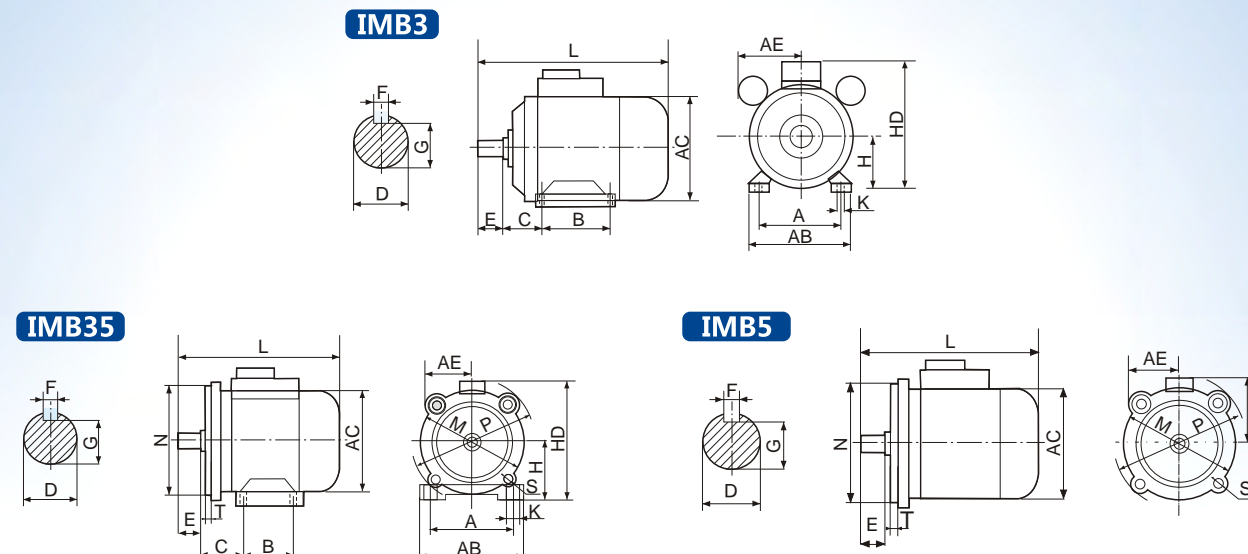
- IP44 (IP54)
- 固定脚
- 外形美观
- 适应于高负载工作
- 可供不锈钢轴
- S1连续工作制
- F级绝缘
- 高性能、高效率

CUSTOMER BENEFITS

- Water dust and vermin resistant
- Quiet operation
- Electricity saving
- Easy intallation1
- Corrosion resistant
- Safety and reliable
- Superior life
- Reliable in country, city or factory environments

产品优势

- 防水、防尘、防害
- 低噪音
- 节能
- 安装便捷
- 防腐
- 安全可靠
- 使用寿命长
- 适用于乡村、城市、工厂



外形及安装尺寸 OVERALL & INSTALLATION DIMENSIONS

机座号 Frame size	装配尺寸 Mounting Dimensions (mm)															外型尺寸 Overall Dimensions (mm)				
	A	B	C	D	E	F	G	H	K	M	N	P	R	S	T	AB	AC	AD	HD	L
71	112	90	45	14	30	5	11	71	7	130	110	160	0	10	3.5	145	145	140	180	255
80	125	100	50	19	40	6	15.5	80	10	165	130	200	0	12	3.5	160	165	150	200	295
90S	140	100	56	24	50	8	20	90	10	165	130	200	0	12	3.5	180	185	160	240	370
90L	140	125	56	24	50	8	20	90	10	165	130	200	0	12	3.5	180	185	160	240	400
100L	160	140	63	28	60	8	24	100	12	215	180	250	0	15	4.0	205	220	180	260	430
112M	190	140	70	28	60	8	24	112	12	215	180	250	0	15	4.0	245	250	190	300	455
132S	216	140	89	38	80	10	33	132	12	265	230	300	0	15	4.0	280	262	210	350	525

技术数据 TECHNICAL DATA AT 50Hz

型号 Model	功率 Power		电压 Voltage (V)	电流 Current (A)	转速 Speed (r.p.m)	效率 Eff (%)	功率因数 Power factor	堵转转矩 Tst/Tn(Times)	最大转矩 Tmax/Tn(Times)	堵转电流 Ist/In(Times)	净重 N.W.(kg)
	KW	HP									
YL711-2	0.37	1/2	220	2.73	2800	67	0.92	50	1.8	6.0	8
YL712-2	0.55	3/4	220	3.88	2800	70	0.92	50	1.8	6.0	9
YL711-4	0.25	1/3	220	1.99	1400	62	0.92	50	1.8	6.0	8
YL712-4	0.37	1/2	220	2.81	1400	65	0.92	50	1.8	6.0	9
YL801-2	0.75	1	220	5.15	2810	72	0.92	50	1.8	6.0	11
YL802-2	1.1	1.5	220	7.02	2810	75	0.95	50	1.8	6.0	12
YL801-4	0.55	3/4	220	4.0	1410	68	0.92	50	1.8	6.0	11
YL802-4	0.75	1	220	5.22	1410	71	0.92	50	1.8	6.0	12
YL90S-2	1.5	2	220	9.44	2820	76	0.95	50	1.8	6.0	13
YL90L-2	2.2	3	220	13.7	2820	77	0.95	50	1.8	6.0	17
YL90S-4	1.1	1.5	220	7.21	1430	73	0.95	50	1.8	6.0	13
YL90L-4	1.5	2	220	9.57	1430	75	0.95	50	1.8	6.0	17
YL100L1-4	2.2	3	220	13.9	1440	76	0.95	50	1.8	6.0	26
YL100L2-4	3	4	220	18.6	1440	77	0.95	50	1.8	6.0	28
YL112M-4	2.2	3	220	13.9	1450	76	0.95	50	1.8	6.0	31
YL112M1-4	3	4	220	18.6	1450	77	0.95	50	1.8	6.0	34
YL112M2-4	3.7	5	220	23	1450	78	0.95	50	1.8	6.0	38
YL132S1-4	3	4	220	18.6	1460	77	0.95	50	1.8	6.0	55
YL132S2-4	3.7	5	220	23	1460	78	0.95	50	1.8	6.0	60

Note: 230V/50Hz, 240V/50Hz, 110V/60Hz, 115V/60Hz, 127V/60Hz ets. Models are available on request

备注：可以按要求生产230V/50Hz, 240V/50Hz, 110V/60Hz, 115V/60Hz, 127V/60Hz等电压频率