

JETDP

系列深井自吸泵

SERIES SELF-PRIMING DEEP WELL PUMPS



DP self-priming deep-well pumps consist of an ejector unit and a centrifugal pump connected in series. The ejector unit can be lowered in a 4" diameter pipe of well. These pumps are suitable to convey clean water or non-aggressive chemical fluids, they are extremely reliable and simple to use and suitable for domestic applications, automatic distribution of water from small to medium size surge tanks and boosting systems. In order to grant a correct counter-pressure, it is always advisable to install a foot valve with a strainer on the suction nozzle.

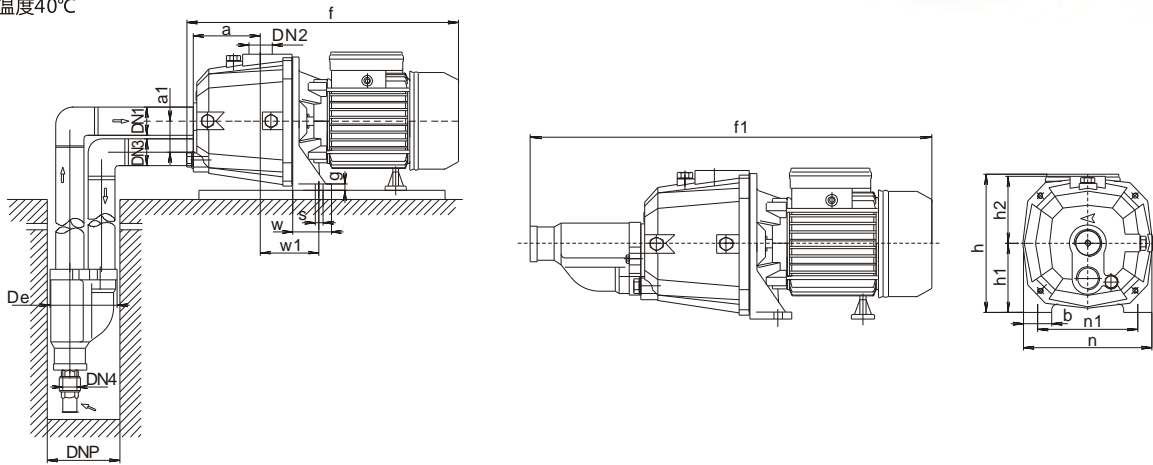
DP 系列自吸泵深井泵由射流装置及离心泵组成，射流装置可被放入直径为4"的机井中。可用于输送清水及不具腐蚀性的流体，可用于从深井中抽水、并通过压力调节罐或压力控制部件进行自动供水。要求在其进水管的底部装有带滤网的底阀。

WORKING CONDITIONS

- Max Temperature of Fluid up to +40°C
- Max Pressure 10bar,
- Max Ambient Temperature up to 40°C

工作条件：

- 最高流体温度为40°C
- 最大可承受的压力10bar
- 最高环境温度40°C



技术参数 TECHNICAL DATA AT 220~240V/50Hz

型号 TYPE	输入功率 Input Power		电流 Current (A)	最大流量 Q.max l/min	最高扬程 H.max (m)	最大吸程 Such.max (m)	转速 Speed (r/min)	射流器 Enjector	Capacity L/min At discharge head m 扬程 M				
	KW	HP							10m	15m	25m	35m	40m
JETDP-370	0.37	1/2	2.6	25	25	15	2850	E20	30	25	16	10	5
JETDP-550	0.55	3/4	3.6	30	30	20		E20	35	30	17	15	10
JETDP-750	0.75	1	4.8	35	35	25		E20	45	40	30	20	15
JETDP-1100	1.1	1.5	6.6	40	55	20		E30	45	40	30	25	20
JETDP-1500	1.5	2	8.8	45	65	25		E30	50	45	35	30	25

Note: 110V/60Hz, 115V/60Hz, 127V/60Hz, 110/220V/60Hz, 380V/50Hz ets. Models are available on request
备注: 可以按要求生产110V/60Hz, 115V/60Hz, 127V/60Hz, 110/220V/60Hz等电压频率

安装尺寸 DIMENSIONS

型号 TYPE	管径 Size (inch)			外形尺寸 Dimensions(mm)														包装尺寸 Packing Size (mm)			毛重 GW (kg)	包装数量 Packing QTY. 20'柜(Cont)
	DN1	DN2	DN3	De	a	al	f	h	h1	h2	n	n1	w	w1	b	g	s	L	W	H		
JETDP-370	1.25"	1"	1"	96	95	43	387	196	98	95	182	142	55	84	40	9	11	400	300	230	15	850
JETDP-550	1.25"	1"	1"	96	95	43	387	196	98	95	182	142	55	84	40	9	11	400	300	230	16.5	850
JETDP-750	1.25"	1"	1"	96	95	43	387	196	98	95	182	142	55	84	40	9	11	400	300	230	17	850
JETDP-1100	1.25"	1"	1"	96	51	43	395	258	110	147	198	145	-	117	65	12	12	535	250	300	26	700
JETDP-1500	1.25"	1"	1"	96	51	43	395	258	110	147	198	145	-	117	65	12	12	535	250	300	28	700