

FL SERIES WATER BOOSTER SYSTEM

系列游艇压力罐供水系统

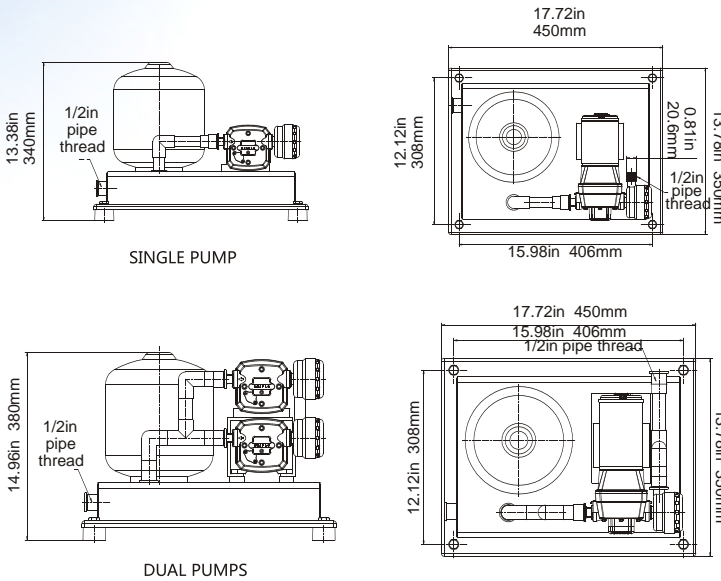


WORKING CONDITIONS

- Duty Cycle: Intermittent
- Liquid Temperature: 140°F (60°C) Max.
- Priming Capabilities: 6 feet (1.8 m) suction lift
- Max Pressure: 70PSI (4.8 bar)

工作条件：

- 工作周期: 间歇式
- 可承受最高温度: 最高温140°F (60°C)
- 吸程: 吸程6英尺 (1.8米)
- 最大压力: 70磅/平方英寸 (4.8巴)



FEATURES & BENEFITS

- Easy maintenance: inlet strainer with clear lid for inspection prevents debris from entering the pump
- 5 or 8 ltr Accumulator tank combines high capacity and compact size
- Easy installation: pre-mounted kit 4 screws and connect plumbing
- Moulded base drop in and fit one piece kit
- Connects directly to 15mm Quick Connect pipework. Suitable to connect to 1/2" flexible hose
- Includes long life pressure pumps
- Reduced noise and vibration by preventing pump cycling
- Combine pump and accumulator tank ensures a smooth even flow or water to all outlet

特点和优势

- 维修简便：配有过滤器可阻止碎片杂物进入泵里
- 配有5升和8升的压力罐，容量大，设计紧凑
- 安装简便：四个孔底座方便安装
- 可以垂直和水平安装
- 可直接连接到15毫米的快接管道，也适用于连接到1/2英寸软管
- 内含压力泵
- 通过防止泵内水循环降低噪声和振动
- 泵和压力罐结合能确保水平稳流出所有出口

TYPICAL APPLICATIONS

- Home & Garden
- Marine/RV
- Automotive
- Industrial

主要应用领域

- 居家&园艺
- 游艇/房车
- 汽车配套
- 工业

技术参数 TECHNICAL DATA

型号 TYPE	电压 Volt (V)	开口流量 Open Flow (lpm/gpm)	压力 Pressure (psi/bar)	最大电流 Max Draw (A)	最大电流 Max Draw (A)	包装尺寸 Packing Size (mm)	净重 N.W
FL-35H	12	12.5/3.3	35/2.4	8	1.3/5.0	510X510X350	9.5
FL-40H	24	17.0/4.5	40/2.8	15	2.1/8.0	510X510X350	9.5
FL-35D	12	25.0/6.6	35/2.4	8	2.1/8.0	510X510X400	11.6
FL-40D	24	34.0/9.0	40/2.8	15	2.1/8.0	510X510X400	11.6
FL-70H	12	25.8/6.8	70/4.8	16	2.1/8.0		
FL-70H	24	25.8/6.8	70/4.8	8	2.1/8.0		

Note: 110V 220V AC are available on request
备注：可以按要求生产交流 110V, 220V